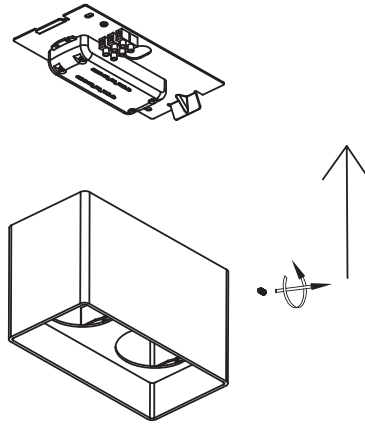


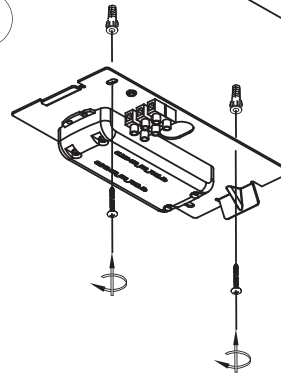
**KUANA S**  
TLC009SxBAS2



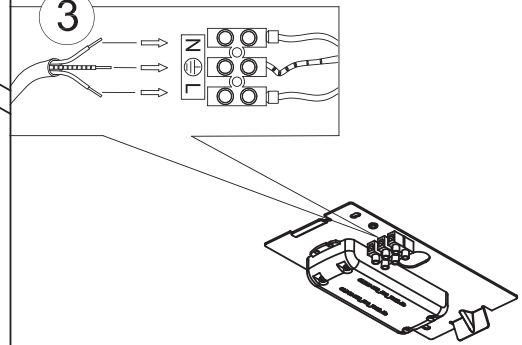
1



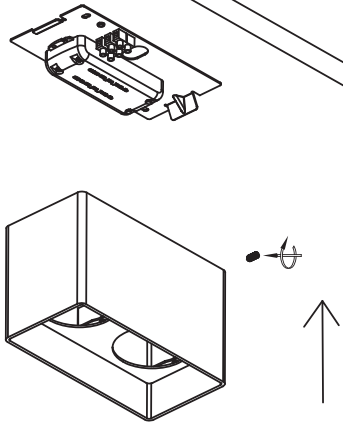
2



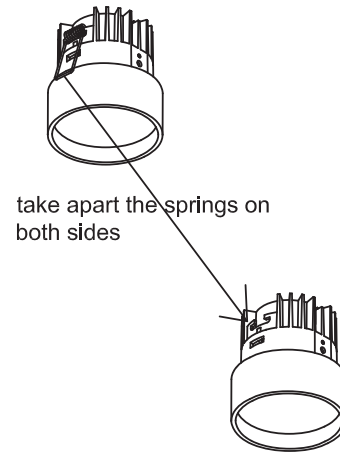
3



4



5



6

when installing the KEA into ED housing, the spring hole positions must be matched correctly with the springs inside the housing

7

